

REGULATED POWER SUPPLIES

U-series

U 5-500	5-6 V	500 mA	
U 5-1000	5-6 V	1000 mA	
U 15-250	12-15 V	250 mA	
U 15-500	12-15 V	500 mA	
UD 15-100	$\pm 7.5-15$ V	100 mA	(or 15-30 V 100 mA)
UD 15-200	$\pm 12-15$ V	200 mA	(or 24-30 V 200 mA)

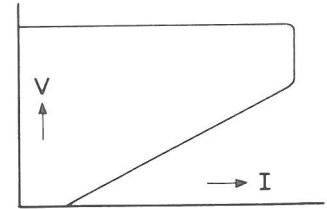
P 200 Europacard for 1 or 2 U-units with connector DIN 41617

P 201 Europacard for 1 or 2 U-units with connector DIN 41612

Input voltage	220 V 50-400 Hz standard 110 - 117 - 234 V 50-400 Hz at special order
Voltage adjustment	By 20-turn trimpot, no current derating over adjustment range
Line regulation	5 mV for U 5-500 and U 5-1000, 10 mV for all other models, for + and - 10% AC line variation
Load regulation	10 mV for a 0-100% load variation

Current limit

Fold back current limit to protect for over-heating in case of overload and short circuit



Temperature coefficient

0.01% per °C

Ripple

0.5 mV r.m.s., 1.5 mV p-p

Recovery time

10 μS for recovery to within 30 mV of steady state voltage after a step load change from 10–100%

Output impedance

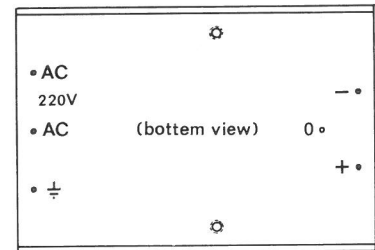
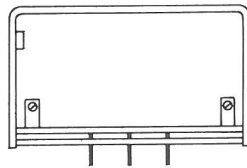
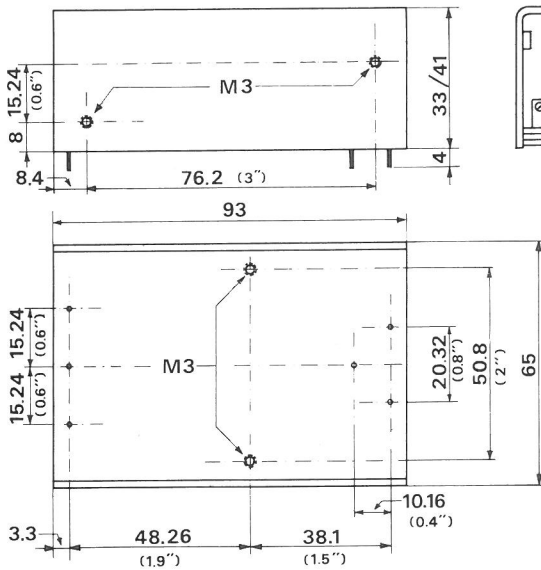
Max 100 mOhm U 5-500 and U 5-1000
Max 200 mOhm other models, up to 100 kHz

Ambient temperature

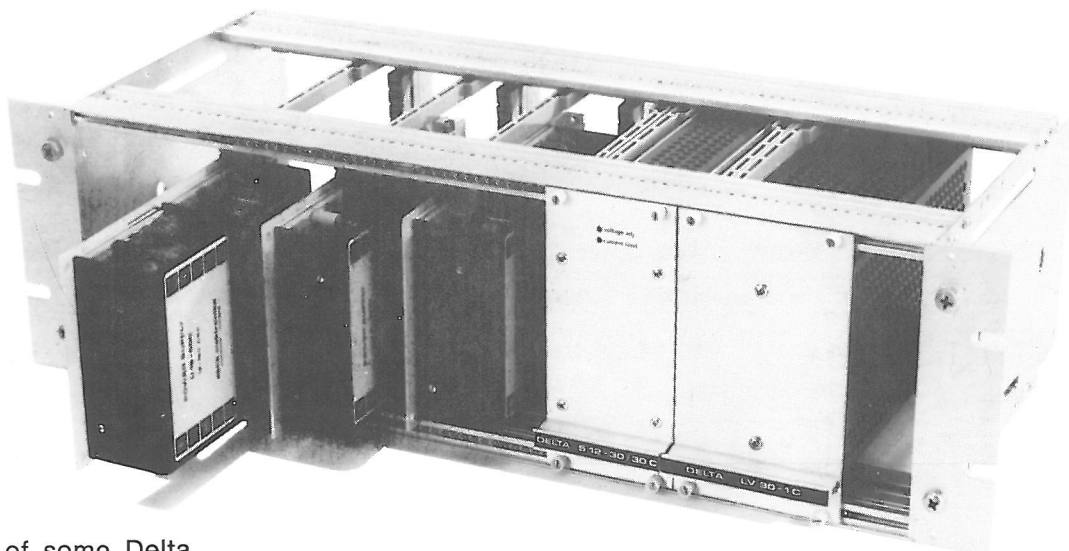
Full load up to 50°C ambient temperature

Dimensions and weight

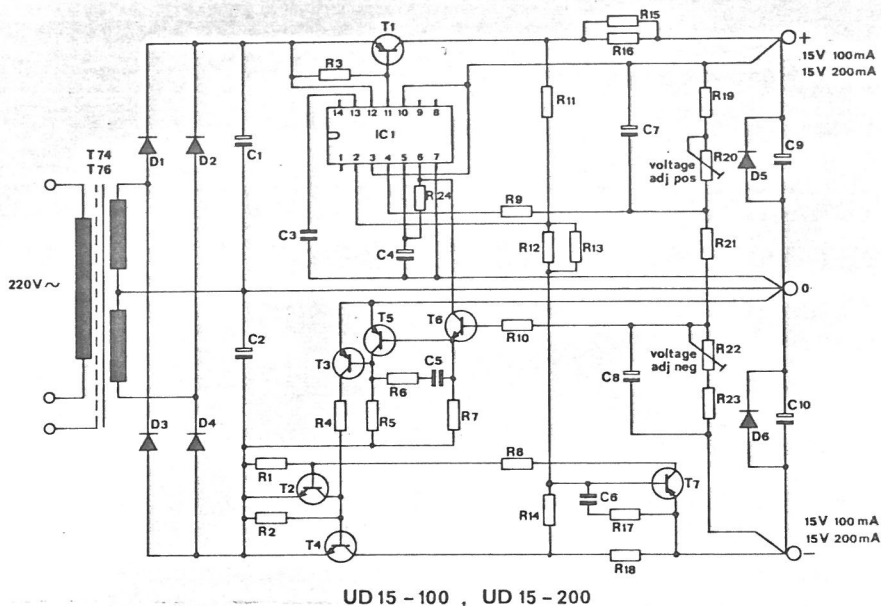
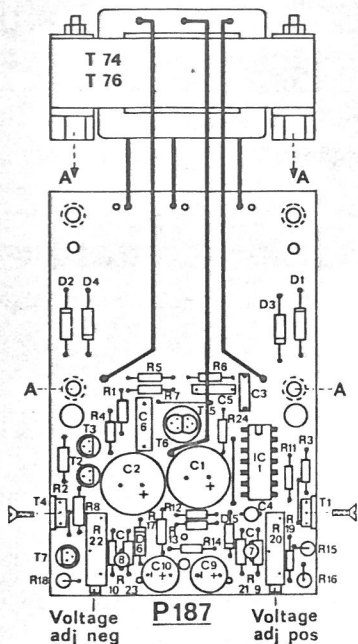
U 5- 500, U 15-250, UD 15-100	93 x 65 x 33 mm	0,40 kgs
U 5-1000, U 15-500, UD 15-200	93 x 65 x 41 mm	0,55 kgs



connection diagram



Example of some Delta power supplies in Elrück 19" assemblies supports



UD 15-100

UD 15-200

R = Ohm

1 = 150	1,2 k
2 = 680	680
3 = 680	680
4 = 3,9 k	3,9 k
5 = 47 k	47 k
6 = 3,3 k	3,3 k
7 = 1 M	1 M
8 = 1 k	1 k
9 = 1 k	1 k
10 = 1 k	1 k
11 = 1 k	1,8 k
12 = —	47 k
13 = —	CR
14 = 1 k	1,8 k
15 = 150	—
16 = 5,6 1/2 W 2%	6,8 1/2 W 2%
17 = 10	10
18 = 5,6 1/2 W 2%	6,8 1/2 W 2%
19 = —	3,9 k
20 = 5 k trim.	5 k trim.
21 = 3,9 k	6,8 k
22 = 5 k trim.	5 k trim.
23 = 3,3 k carbon	10 k carbon
24 = 1 k	1 k

T			
1 = BD240A	RCA	BD240A	RCA
2 = BC 182	TI	BC 182	TI
3 = BC 212	TI	BC 212	TI
4 = BD239A	RCA	BD239A	RCA
5 = BC 212	TI	BC 212	TI
6 = BC 182	TI	BC 182	TI
7 = BC 212	TI	BC 212	TI

Tr = T 76 T 74
 All other resistors 1/4 W 2% metal film.
 tt = tantalum.
 CR = Calibration resistor.

UD 15-100

UD 15-200

C = microfarad

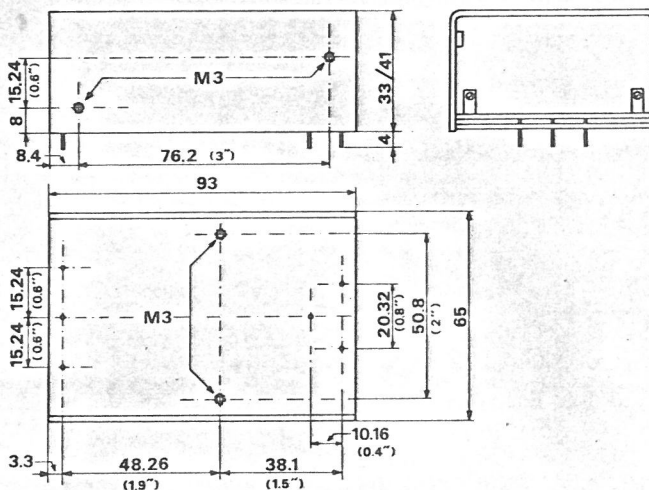
1 = 220	40 V	470	40 V
2 = 220	40 V	470	40 V
3 = 0,01	250 V	0,01	250 V
4 = 2,2	35 V tt	2,2	35 V tt
5 = 0,001	250 V	0,001	250 V
6 = 0,47	100 V	0,47	100 V
7 = 2,2	35 V tt	2,2	35 V tt
8 = 2,2	35 V tt	2,2	35 V tt
9 = 22	40 V	22	40 V
10 = 22	40 V	22	40 V

D

1 = 1N4003	TI	1N4003	TI
2 = 1N4003	TI	1N4003	TI
3 = 1N4003	TI	1N4003	TI
4 = 1N4003	TI	1N4003	TI
5 = 1N4003	TI	1N4003	TI
6 = 1N4003	TI	1N4003	TI

IC

1 = SN 72723	TI	SN 72723	TI
--------------	----	----------	----



			Title: UD 15-100 UD 15-200
			Date: Sept '76
Modifications	Date	App.	delta elektronika bv

